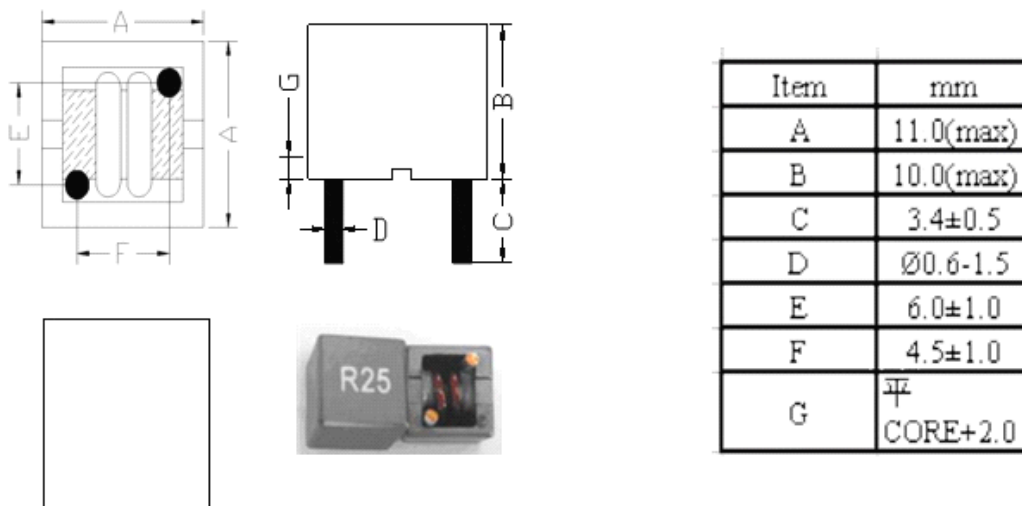


GDA10109MN-SERIES

SIMENSLONS & RECOMMENDED PATTERN



SELECTION GUIDE FOR STANDARD COILS.

組裝式插件GDA10109MN系列规格				
P/N	L	RDC (mΩ)	IDC (A)	Isat (A)
GDA10109MN-R25	R	0.64 (±10%)	40 (ΔT≤40℃)	50 (-20%)
GDA10109MN-R36	R	0.7 (±10%)	40 (ΔT≤40℃)	45 (-20%)
GDA10109MN-R50	R	0.81 (±10%)	38 (ΔT≤40℃)	35 (-20%)
GDA10109MN-R60	R	0.89 (±10%)	39 (ΔT≤40℃)	34 (-20%)
GDA10109MN-R80	R	1.28 (±10%)	30 (ΔT≤40℃)	29 (-20%)
GDA10109MN-1R0	1	1.8 (±10%)	19 (ΔT≤40℃)	25 (-20%)
GDA10109MN-1R2	1	1.7 (±10%)	29 (ΔT≤40℃)	17 (-20%)
GDA10109MN-1R5	1	2.1 (±10%)	21 (ΔT≤40℃)	18 (-20%)
GDA10109MN-1R8	1	3.35 (±10%)	18 (ΔT≤40℃)	21 (-20%)
GDA10109MN-2R2	2	3.35 (±10%)	18 (ΔT≤40℃)	17 (-20%)
GDA10109MN-3R3	3	7.0 (±10%)	13 (ΔT≤40℃)	17.5 (-20%)